

SNO-E5031R

1.3Megapixel HD Weatherproof Network IR Camera

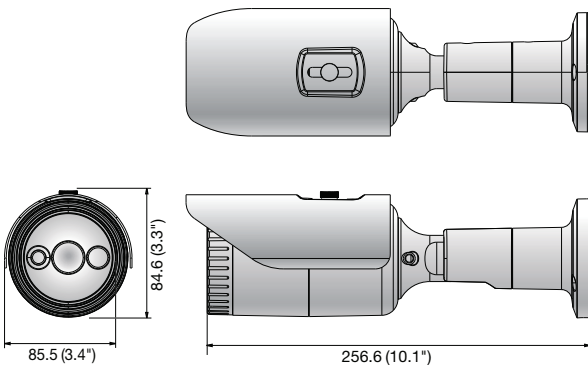


Key Features

- Max. 1.3M (1280 x 960) resolution
- Built-in 6mm fixed lens
- H.264, Dual stream
- Day & Night (ICR), SSSDR, SSNR
- Motion detection, Occlusion detection
- IR Distance 30m, IP66

Dimensions

Unit : mm (inch)



SNO-E5031RN/P

VIDEO	
Imaging Device	1/3" 1.3M PS CMOS (Aptina 0130)
Total Pixels	1,280(H) x 960(V)
Effective Pixels	1,280(H) x 960(V)
Scanning System	Progressive
Min. Illumination	Color : 0.1Lux@F1.2, 50IRE, AGC on B/W : 0Lux @ F1.2, IR on
S / N Ratio	50dB
LENS	
Focal Length (Zoom Ratio)	6 mm
Max. Aperture Ratio	F1.8
Angular Field of View	H:46.5° ,V: 34.5° , D:59.3°
Min. Object Distance	0.2m
Mount Type	M12
IR Type	LED-array (1ea)
IR Distance	30 m
OPERATIONAL	
Camera Title	32 characters
Day & Night	Auto (ICR) / Color / B/W
Backlight Compensation	Off / BLC
Wide Dynamic Range	SSDR
Digital Noise Reduction	SSNR
Motion Detection	Off / On
Privacy Masking	Off / On (4 zones)
Sens-up (Frame Integration)	Off / Auto (2x ~ 30x)
Gain Control	Off / Low / Middle / High
White Balance	ATW / AWC / Manual / Indoor / Outdoor
Electronic Shutter Speed	Auto / A.FLK / Manual (1/25 or 1/30 ~ 12,000sec)
Flip / Mirror	Off / On
Intelligent Video Analytics	MD / OD
Alarm Triggers	Motion detection, Occlusion detection
Alarm Events	File upload via FTP and E-mail Notification via E-mail, ONVIF, TCP and HTTP
Image Adjustment	Saturation, brightness, contrast adjustable web browser
NETWORK	
Ethernet	RJ-45 (10 / 100BASE-T)
Video Compression Format	H.264 (Main profile)
Resolution	Mainstream : 1280 x 960, 1280 x 720p Substream : 640 x 480, 320 x 240
Max. Framerate	50Hz : 25fps (1280 x 960), 25fps (1280 x 720) 60Hz : 30fps (1280 x 960), 30fps (1280 x 720)
Video Quality Adjustment	H.264 : Compression level, Target bitrate level control
Bitrate	32Kbps ~ 8Mbps
Bitrate Control Method	H.264 : CBR or VBR
Streaming Capability	Dual stream
IP	IPv4
Protocol	TCP / IP, UDP / IP, RTP (UDP), RTP (TCP), RTSP, NTP, HTTP, HTTPS, SSL, DHCP, PPPoE, FTP, SMTP, ICMP, IGMP, SNMPv1 / v2c, ARP, DNS, DDNS, ONVIF
Security	HTTPS (SSL) login authentication, Digest login authentication IP address filtering, User access log, 802.1x authentication
Streaming Method	Unicast / Multicast
Max. User Access	5 users at unicast mode
Application Programming Interface	ONVIF profile S, SUNAPI 2.0
Web Language	English, Chinese
Web Viewer	Supported OS : Windows XP / VISTA / 7 / 8, MAC OS X 10.7 or higher Supported Browser : Microsoft Internet Explorer (Ver. 8 or higher), Mozilla Firefox (Ver. 9 or higher), Google Chrome (Ver. 15 or higher), Apple Safari (Ver. 5.1 or higher),
Central Management Software	SSM, SMV
ENVIRONMENTAL	
Operating Temperature / Humidity	-30°C ~ +55°C (-22°F ~ +131°F) / Less than 90% RH *Start up should be done at above -10°C
Storage Temperature / Humidity	-30°C ~ +60°C (-22°F ~ +140°F) / Less than 90% RH
ELECTRICAL	
Input Voltage / Current	DC 12V ±10%
Power Consumption	Max. 4.8W (DC 12V)
MECHANICAL	
Water Proof	IP66
Color / Material	White / AL
Dimension (WxHxD)	85.5 x 84.6 x 256.6
Weight	785g

* The latest product information / specification can be found at www.samsungsecurity.com